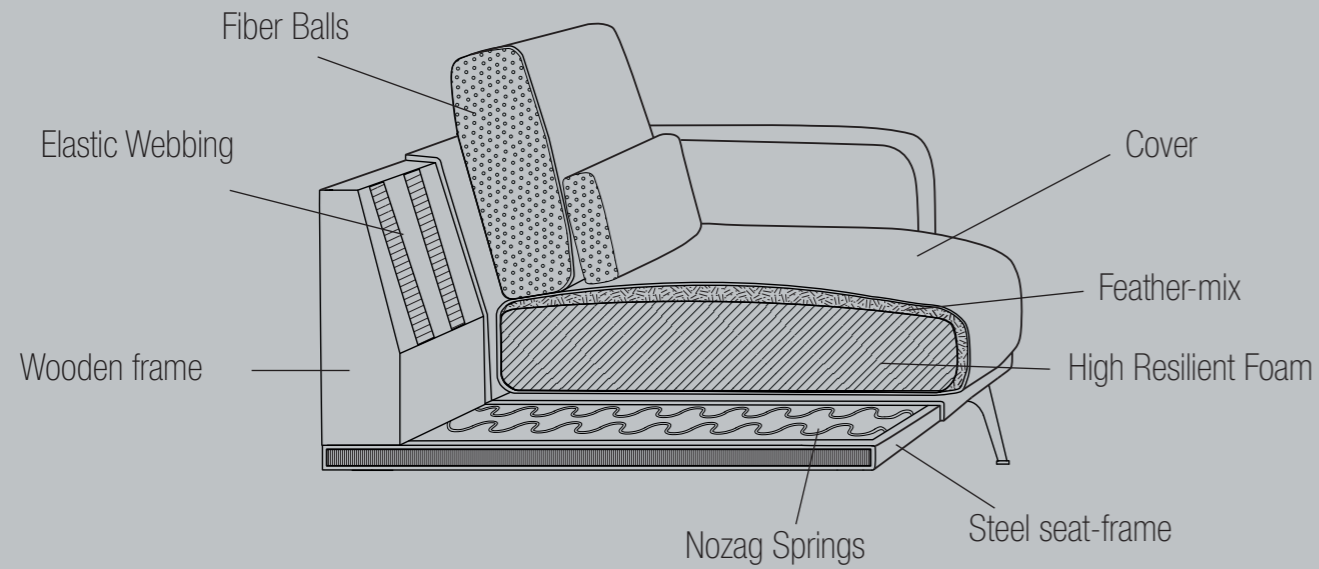
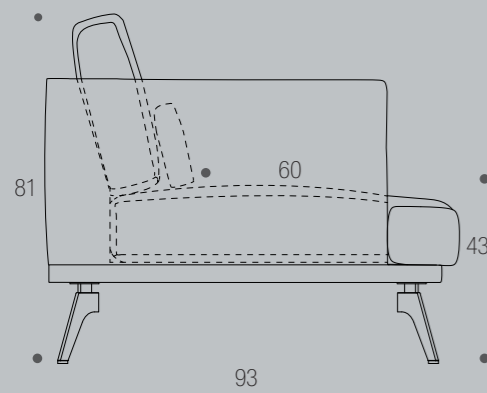


COMFORT

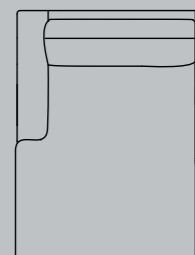
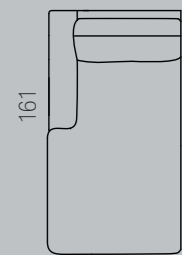


DIMENSIONS



SMALL
chaise lounge module

LARGE
chaise lounge module



DESIGN ELEMENTS

39 Combinations
Available in fabric and leather

HOW TO DESIGN

1. Choose comfort 149
2. Choose combination
3. Choose fabric or leather
4. Legs included

LEGS

Materiel: Steel
Surface: Brushed steel
Height: 20 cm



Forli is a light looking sofa, that with its minimalistic and unique design is one of a kind. The exclusive steel frame gives this sofa a stylish look.

COMBINATIONS

Combination	Combination	Combination	Foot rest	Foot rest	Combination	Combination	Combination	Combination	Combination	Neck rest	Neck rest	
3221	2521	2221	1710	1720	Shown Mirrored	0011 0021	Shown Mirrored	0031 0041	Shown Mirrored	0051 0061	1491055	1491065
Price group												
1												
2												
3												
4												
5												
Eton w. Split												
Eton												
Savoy / split												
Savoy / Elegance												
Century												
Waldorf												
Vintage												
Pullman												

Combination	Combination	Combination	Combination	Combination	Combination	Combination	Combination	Combination	Combination						
Shown	0071	Shown	0081	shown	0091	Shown	0211	Shown Mirrored	0101 0111	Shown Mirrored	0121 0131	Shown Mirrored	0141 0151	Shown Mirrored	0241 0251
	2-seater+90°+2-seater		2½-seater+90°+2½-seater		3-seater+90°+3-seater		3-seater+90°+3-seater		2-seater+90°+3-seater		2-seater+90°2-seater+chaiselong S		2½-seat.+90°2½-seat.+chaiselong L		3-seat.+90°+2-seat.+chaiselong S
Price group															
1															
2															
3															
4															
5															
Eton w. Split															
Eton															
Savoy / split															
Savoy / Elegance															
Century															
Waldorf															
Vintage															
Pullman															

Combination	Combination	Combination	Combination	Combination	Combination	Combination	Combination	Combination	Combination						
Shown Mirrored	9101 9111	Shown Mirrored	9121 9131	Shown Mirrored	9141 9151	Shown Mirrored	9161 9171	Shown Mirrored	9181 9191	Shown Mirrored	9241 9251	Shown Mirrored	9221 9231	Shown Mirrored	9201 9211
	Open-end+2-seater		Open-end+2½-seater		Open-end+3-seater		Open-end+3-seater		Open-end+2-seat-chaiselong S		Open-end+2½-seat.+chaiselong L		Open-end+3-seat-chaiselong S		Open-end+3-seat-chaiselong S
Price group															
1															
2															
3															
4															
5															
Eton w. Split															
Eton															
Savoy / split															
Savoy / Elegance															
Century															
Waldorf															
Vintage															
Pullman															

With a nominal size of up to 150 cm. (width, depth, height), the nominal tolerance may not exceed 2 cm. When larger than 150 cm. Not more than 2,5 cm.