



ARABELLA

product code	CC0757M46
product description	ARABELLA Bench metal, PU black walnut veneer Bench with top in walnut veneer and synthetic leather, metal feet.

product sizes

height x width x depth (cm)	44	x	100	x	40
product weight (Kg)	9,8				

technical drawings

product features

use (domestic/office)	Domestic
appliicance (inner/outer)	Inner
number of doors	
number of drawers	
fittings description	
max. load (Kg)	

material	MDF and foam
finishing	Walnut veneer and PVC

legs material	Steel
legs finishing	Powder coated painting
feet protection (yes/no)	Yes
adjustable feet (yes/no)	No

RAL Specifications	
size and shape variation (yes/no)	No
color variation (yes/no)	No
other details	

general warnings	Do not place near direct sources of heat. Keep away from direct solar light. Do not use abrasive products like acetones, bleaches, solvents, etc.
------------------	---

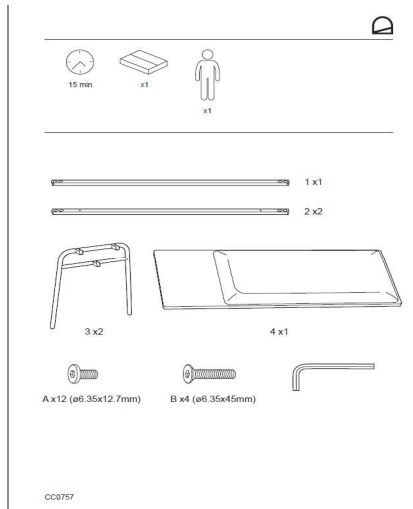
specific use and care instructions	Clean with a cloth wet or dampened in a mild cleaner and dry immediately. When the surface of the wood starts to wear or become dry, treat it with wood treatment oil or semi-transparent wood stain.
------------------------------------	---

years of guarantee made according to	2
good to know	

assembly

assembly required (yes/no)	Yes
difficulty of assembly (hard/medium/easy)	Easy
assembly time (min)	20
people required	2
assembly suggestions	

assembly instructions



CC0757

packaging

units per lot	1				
cbm (m3) / gross weight (Kg)	0,063	/	11,5		
nº of boxes	1				
box 1	1				
description	ARABELLA Bench metal, PU black walnut veneer				
description box	FULL ITEM				
height x width x depth (cm)	13	x	111	x	44
cbm (m3) / gross weight (Kg) / net weight (Kg)	0,063	/	11,5	/	9,8
box 2					
description					
description box					
height x width x depth (cm)		x		x	
cbm (m3) / gross weight (Kg) / net weight (Kg)		/		/	
box 3					
description					
description box					
height x width x depth (cm)		x		x	
cbm (m3) / gross weight (Kg) / net weight (Kg)		/		/	
box 4					
description					
description box					
height x width x depth (cm)		x		x	
cbm (m3) / gross weight (Kg) / net weight (Kg)		/		/	
box 5					
description					
description box					
height x width x depth (cm)		x		x	
cbm (m3) / gross weight (Kg) / net weight (Kg)		/		/	