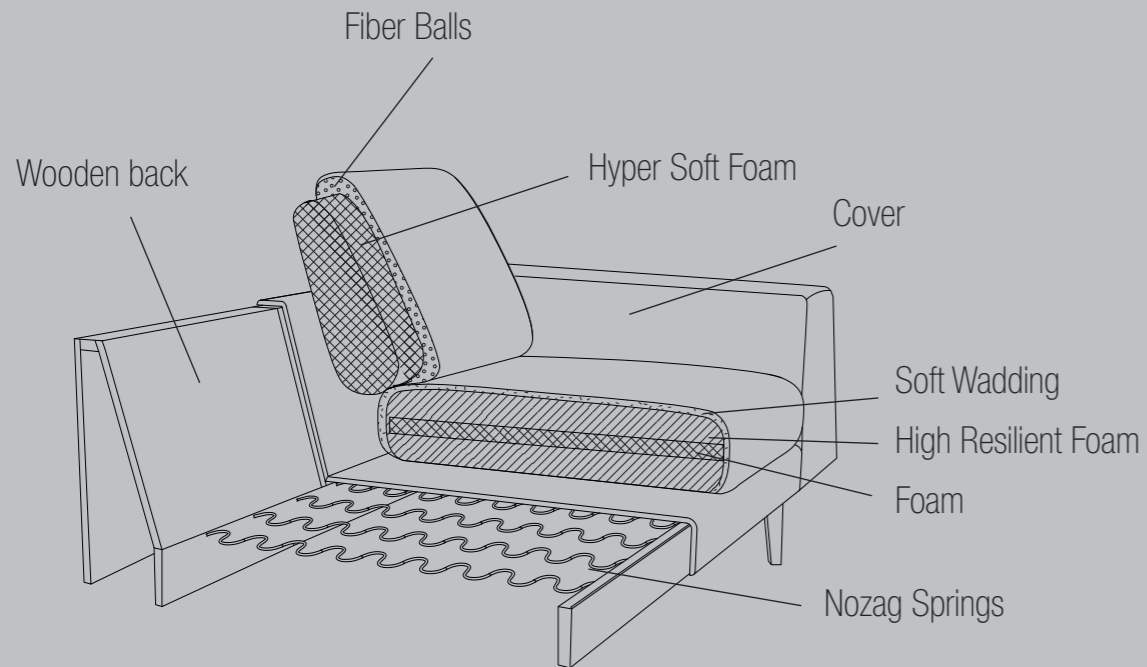
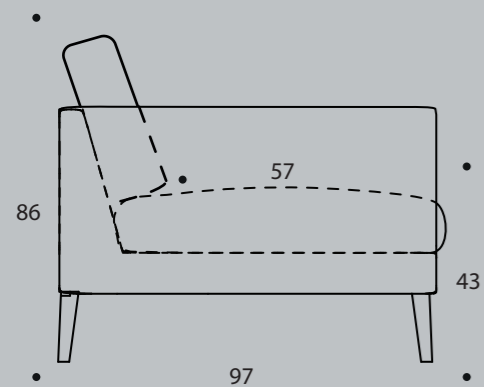


# COMFORT



# DIMENSIONS



# DESIGN ELEMENTS

11 Combinations  
Available in fabric and leather

# HOW TO DESIGN

1. Choose comfort 151
2. Choose combination
3. Choose fabric or leather
4. Legs included

# LEGS

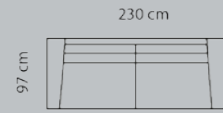
**Materiel:** Steel  
**Surface:** Black  
**Height:** 20 cm



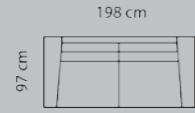
Valenza is designed for those who love comfort and modern design. The unique design of the arm, that changes shape from the back to the front, with beautiful tailoring details - makes sure that the philosophy of Valenza is achieved; Modern design combined with a premium seating experience.

# COMBINATIONS

Combo shown **3221**



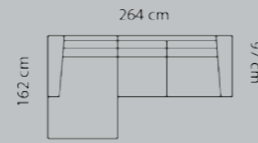
Combo shown **2521**



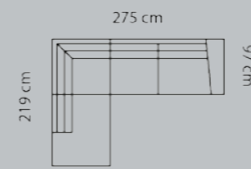
Combo shown **1760**



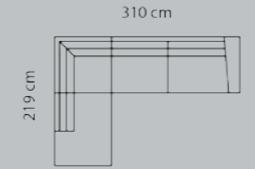
Combo shown **0031**  
Combo mirrored **0041**



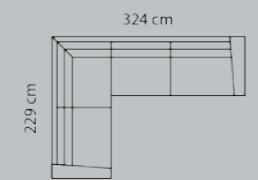
Combo shown **9121**  
Combo mirrored **9131**



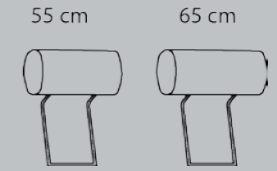
Combo shown **9161**  
Combo mirrored **9171**



Combo shown **0221**  
Combo mirrored **0231**



Neck rests **1601055** **1601065**



**Price group**

	M3: 1,31	M3: 1,12	M3: 0,21	M3: 1,72	M3: 2,08	M3: 2,28	M3: 2,49	M3: 0,03	M3: 0,05
1									
2									
3									
4									
5									
Eton w. Split									
Eton									
Savoy w. split									
Savoy / Elegance									
Century									
Waldorf									
Vintage									
Pullman									
Boxes of legs incl.	2	2	2	5	5	5	4		

With an nominal size of up to 150 cm. (width, depth, height), the tolerance may not exceed 2 cm.  
Wehn larger than 150 cm, not more than 2 cm.